



DEPARTMENT OF REGULATORY AND ECONOMIC RESOURCES (RER)
BOARD AND CODE ADMINISTRATION DIVISION

MIAMI-DADE COUNTY
PRODUCT CONTROL SECTION
11805 SW 26 Street, Room 208
Miami, Florida 33175-2474
T (786) 315-2590 F (786) 315-2599
www.miamidade.gov/economy

NOTICE OF ACCEPTANCE (NOA)

GAF
1 Campus Drive
Parsippany, NJ 07054

SCOPE:

This NOA is being issued under the applicable rules and regulations governing the use of construction materials. The documentation submitted has been reviewed and accepted by Miami-Dade County RER - Product Control Section to be used in Miami Dade County and other areas where allowed by the Authority Having Jurisdiction (AHJ).

This NOA shall not be valid after the expiration date stated below. The Miami-Dade County Product Control Section (In Miami Dade County) and/or the AHJ (in areas other than Miami Dade County) reserve the right to have this product or material tested for quality assurance purposes. If this product or material fails to perform in the accepted manner, the manufacturer will incur the expense of such testing and the AHJ may immediately revoke, modify, or suspend the use of such product or material within their jurisdiction. RER reserves the right to revoke this acceptance, if it is determined by Miami-Dade County Product Control Section that this product or material fails to meet the requirements of the applicable building code.

This product is approved as described herein, and has been designed to comply with the Florida Building Code including the High Velocity Hurricane Zone of the Florida Building Code.

DESCRIPTION: GAF Seal-A-Ridge® Ridge Cap Shingles and GAF Timbertex® Premium Ridge Cap Shingles

LABELING: Each unit shall bear a permanent label with the manufacturer's name or logo, city, state and following statement: "Miami-Dade County Product Control Approved", unless otherwise noted herein.

RENEWAL of this NOA shall be considered after a renewal application has been filed and there has been no change in the applicable building code negatively affecting the performance of this product.

TERMINATION of this NOA will occur after the expiration date or if there has been a revision or change in the materials, use, and/or manufacture of the product or process. Misuse of this NOA as an endorsement of any product, for sales, advertising or any other purposes shall automatically terminate this NOA. Failure to comply with any section of this NOA shall be cause for termination and removal of NOA.

ADVERTISEMENT: The NOA number preceded by the words Miami-Dade County, Florida, and followed by the expiration date may be displayed in advertising literature. If any portion of the NOA is displayed, then it shall be done in its entirety.

INSPECTION: A copy of this entire NOA shall be provided to the user by the manufacturer or its distributors and shall be available for inspection at the job site at the request of the Building Official.

This NOA renews and revises NOA No. 20-0318.05 and consists of pages 1 through 9.
The submitted documentation was reviewed by Alex Tigera.



NOA No.: 22-0628.02
Expiration Date: 10/17/27
Approval Date: 10/13/22
Page 1 of 9

ROOFING ASSEMBLY APPROVAL

Category:	Roofing
Sub-Category:	Asphalt Shingles
Materials	3-Tab Perforated
Deck Type:	Wood

SCOPE

This approves GAF Seal-A-Ridge® Ridge Cap Shingle and GAF Timbertex® Premium Ridge Cap Shingles as manufactured by GAF as described in this Notice of Acceptance.

PRODUCT DESCRIPTION

<u>Product</u>	<u>Dimensions</u>	<u>Test Specifications</u>	<u>Product Description</u>
GAF Seal-A-Ridge® Ridge Cap Shingle <i>Manufacturing Location #1 & #2</i>	12" x 36"	TAS 110	Pre fabricated hip and ridge asphalt shingle with two perforations at 12" o.c. along the 36" length of shingle.
GAF Timbertex® Premium Ridge Cap Shingle <i>Manufacturing Location #1</i>	12" x 36"	TAS 110	Prefabricated hip and ridge fiberglass reinforced asphalt shingle with perforations at 12" o.c. along the 36" length of the shingle.

PRODUCTS MANUFACTURED BY OTHERS

<u>Product</u>	<u>Product Description</u>	<u>Size</u>	<u>Manufacturer</u>
Polyurethane Sealant	Adhesive	Various	Miami Dade Approved ASTM C 920 Polyurethane Sealant

MANUFACTURING LOCATION

1. Mt. Vernon, IN.
2. Savannah, GA.



EVIDENCE SUBMITTED

<u>Test Agency</u>	<u>Test Identifier</u>	<u>Test Name/Report</u>	<u>Date</u>	
Underwriters Laboratories, Inc.	ASTM D3462	11CA45079	03/21/12	
	TAS 107	11CA45079	03/21/12	
	TAS 107	12CA38083	02/26/13	
	Fire Classification	TFWZ.R21	09/16/16	
	ASTM D3161	4788698165	11/09/18	
	ASTM D3161	4788669132	12/13/18	
	ASTM D3161	4789132672	11/27/19	
	ASTM D3161	4789732437	04/15/21	
	PRI Construction Materials Technologies LLC	TAS 100	GAF-381-02-01	11/15/12
		TAS 100	GAF-895-02-01	11/20/18
TAS 100		GAF-896-02-01	11/20/18	
ASTM D3462		GAF-897-02-01	11/08/18	
ASTM D3462		GAF-899-02-01	11/16/18	
ASTM D3462		GAF-898-02-01	11/08/18	
TAS 100		GAF 376T0130	02/08/21	
ASTM D3462		GAF 376T0163	04/20/21	

LIMITATIONS

1. Fire classification is not part of this acceptance; refer to a current Approved Roofing Materials Directory for fire ratings of this product.
2. GAF Seal-A-Ridge® and GAF Timbertex® Premium Ridge Cap Shingles shall be limited for use as hip and ridge cap shingles only.
3. Shall not be installed on roof mean heights in excess of 33 ft.
4. All products listed herein shall have a quality assurance audit in accordance with the Florida Building Code and Rule 61G20-3 of the Florida Administrative Code.

INSTALLATION

1. GAF Seal-A-Ridge® Ridge Cap Shingle and GAF Timbertex® Premium Ridge Cap Shingles shall be installed in compliance with Roofing Application Standard RAS 115.
2. Flashing shall be in accordance with Roofing Application Standard RAS 115
3. The manufacturer shall provide clearly written application instructions.
4. Nailing for GAF Seal-A-Ridge® Ridge Cap Shingle shall be in compliance with Detail 'A' attached. Exposure and course layout for GAF Seal-A-Ridge® Ridge Cap Shingle Ridge Cap Shingles shall be in compliance with Detail 'A'.
5. Nailing for GAF Timbertex® Premium Ridge Cap Shingles shall be in compliance with Detail 'B' attached. Exposure and course layout for GAF Timbertex® Ridge Cap Shingles shall be in compliance with Detail 'B'.
6. A Miami Dade Approved ASTM C920 Polyurethane Sealant Roof must be used in the application of GAF Timbertex® Premium Ridge Cap Shingles as specified in Detail B.



LABELING

Shingles shall be permanently labeled with the manufacturer's name and/or logo, city and state of manufacturing facility, and the following statement: "Miami-Dade County Product Control Approved" **or** with the Miami-Dade County Product Control Seal as seen below:



BUILDING PERMIT REQUIREMENTS

1. Application for building permit shall be accompanied by copies of the following:
 - 1.1 This Notice of Acceptance.
 - 1.2 Any other documents required by the Building Official or the applicable code in order to properly evaluate the installation of this system.

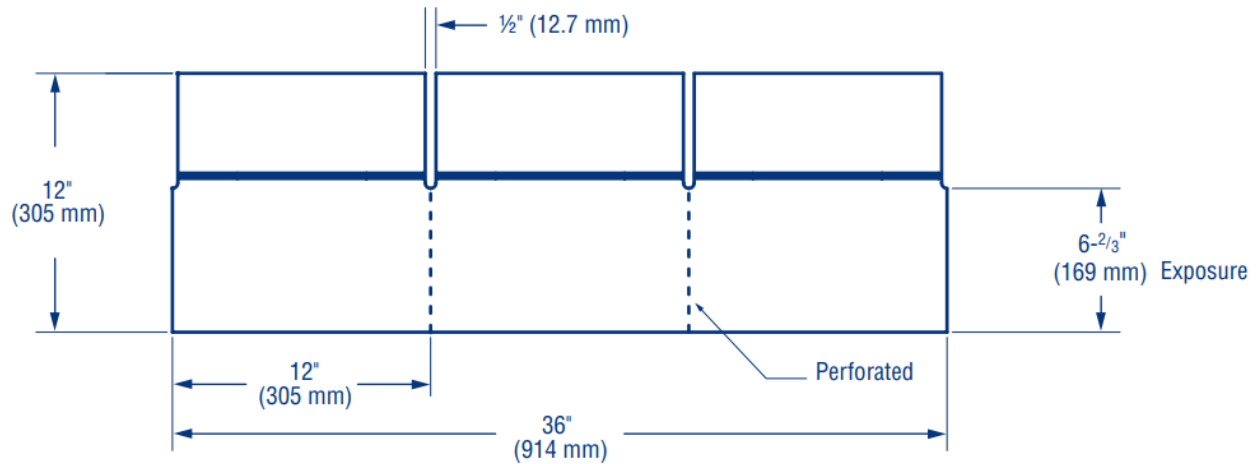


DETAIL A

GAF Seal-A-Ridge® Ridge Cap Shingles Application Instructions:

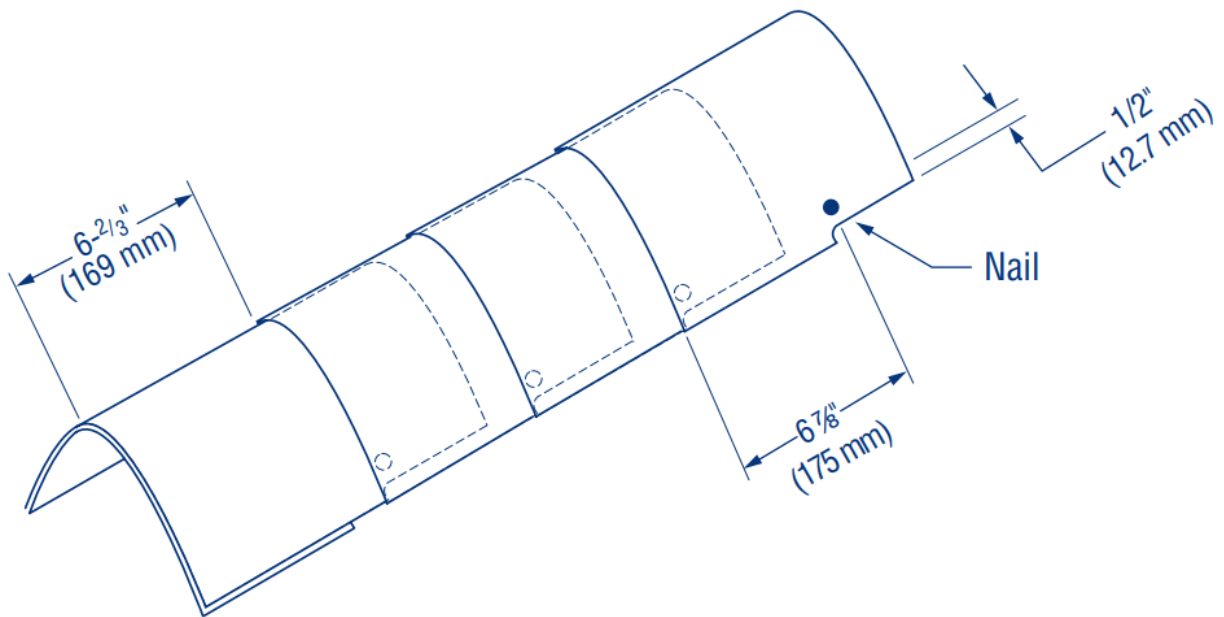
(1) **Step One** – Separate each piece of GAF Seal-A-Ridge® Ridge Cap Shingles into three individual ridge cap shingle pieces at perforations (see Figure 1).

Figure 1



(2) **Step Two** – Begin laying full ridge cap shingle with a 6-2/3” exposure beginning at the bottom of the hip or from the end of the ridge opposite the direction of the prevailing wind (see Figure 2).

Figure 2



(3) **Step Three** – Apply ridge cap using 2 nails per piece 6-7/8” back from the exposed end and 1/2” up from the edge (see Figure 2 for location of nails). Use only corrosion resistant zinc coated steel or aluminum, 10-12 gauge, barbed, deformed or rings shank roofing nails with heads 3/8” (9.5mm) to 7/16” (12mm) in diameter. Nails should be long enough to penetrate at least 3/4” (19mm) into wood decks or just through plywood decks. Nails must be driven flush with the surface of the shingle. Over driving will damage the shingle. Raised nails will interfere with the wind resistance of the shingles.

Special Application Section:

For Cold Weather Application

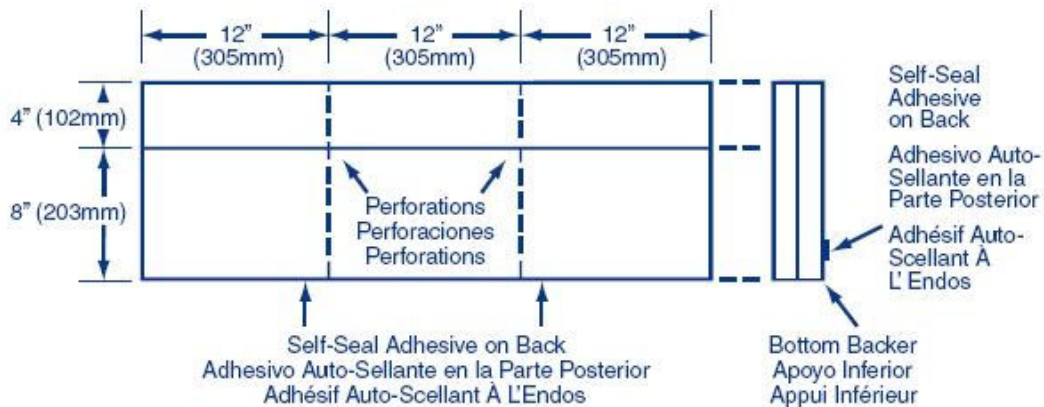
- In cold weather, warm GAF Seal-A-Ridge® Ridge Cap Shingles before bending.
- When self-sealing is delayed due to cold weather, apply quarter-sized dabs of an approved asphalt plastic cement (must conform to ASTM D4586 Type I or Type II) between ridge cap pieces and press firmly to insure good contact between pieces.

DETAIL B

GAF Timbertex® Premium Ridge Cap Shingles Application Instructions:

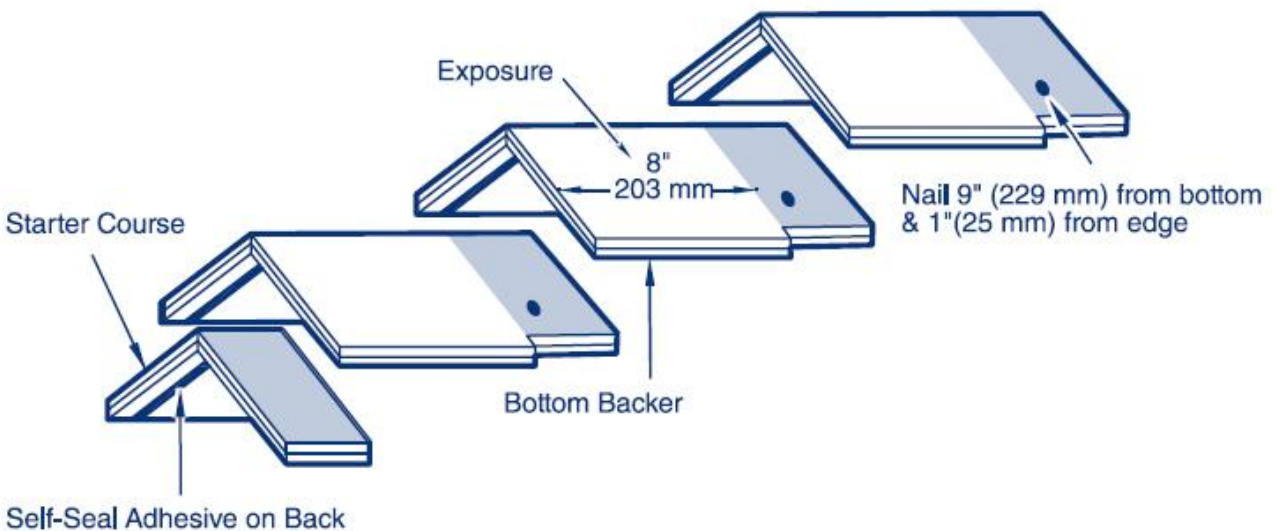
- (1) **Step One** – Separate each piece of GAF Timbertex® Premium Ridge Cap Shingles into three individual ridge cap shingle pieces at perforations (see Figure 1).

Figure 1



- (2) **Step Two** – Prepare the starter course. For this step, take a 12" x 12" (305mm x 305mm) ridge cap piece and cut along the line between exposure and headlap (see Figure 2).

Figure 2



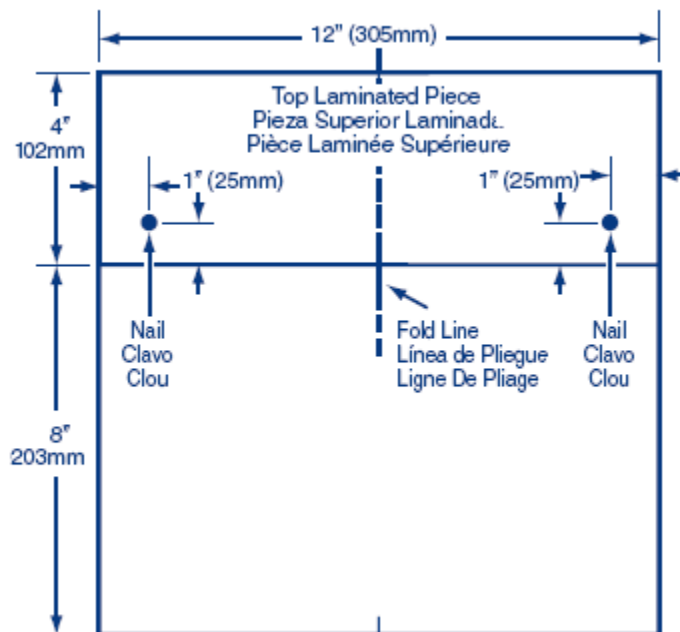
(3) **Step Three** – Place the 4" x 12" (102mm x 305mm) starter cap across the ridge starting at the bottom of the hip or from the end of the ridge opposite the direction of the prevailing wind.

Note: For cold weather application or for high wind zones see special application section below.

(4) **Step Four** – Begin laying full ridge cap shingle pieces 12" x 12" (305mm x 305mm) as shown (see Figure 2). Apply with an 8" exposure beginning at the bottom of the hip or from the end of the ridge opposite the direction of the prevailing wind.

(5) **Step Five** – Apply ridge cap using 2 nails per piece 9" back from the exposed end and 1" up from the edge (see Figure 3 for location of nails). Use only zinc coated steel or aluminum, 10-12 gauge, barbed, deformed or smooth shank roofing nails with heads 3/8" (9.5mm) to 7/16" (12mm) in diameter. Nails should be long enough to penetrate at least 3/4" (19mm) into wood decks or just through plywood decks. Nails must be driven flush with the surface of the shingle. Over driving will damage the shingle. Raised nails will interfere with the wind resistance of the shingles.

Figure 3



Special Application Section:

For Cold Weather Application

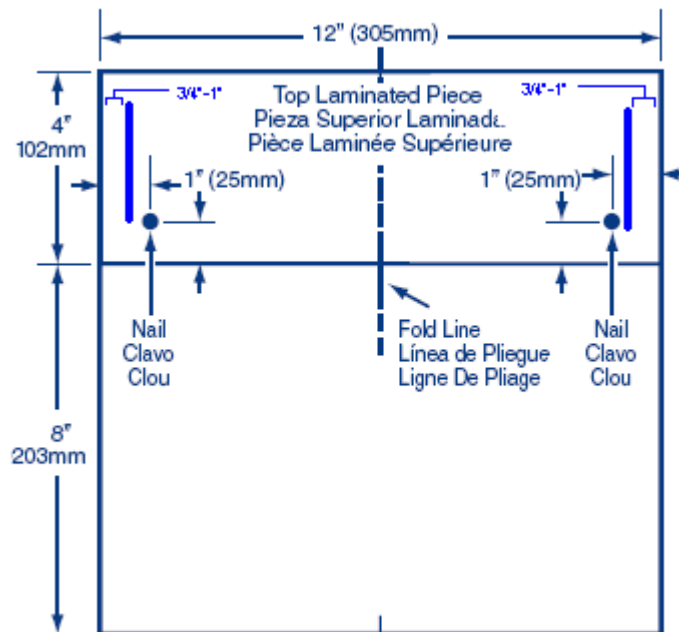
- In cold weather, warm GAF Timbertex® Premium Ridge Cap Shingles before bending.
- When self-sealing is delayed due to cold weather, apply quarter-sized dabs of an approved asphalt plastic cement (must conform to ASTM D4586 Type I or Type II) between ridge cap pieces and press firmly to insure good contact between pieces.

For High-Wind Zones (HVHZ)

- In high wind areas or for maximum wind resistance, apply a ¼” wide bead of a Miami Dade Approved ASTM C 920 Polyurethane Sealant to each ridge cap shingle ¾”-1” from the shingle edge, parallel to the ridge (see Figure 4).

Note: Excessive application of tab adhesive can cause blistering of ridge cap shingle.

Figure 4



END OF THIS ACCEPTANCE